

# Hip Phantom V2

**The Hip Phantom can be used to examine artifacts related to hip implants. It is also designed to evaluate bmd in quantitative Computed Tomography (qCT) of the hip/femur region.**

The Hip-Phantom comprises a water-equivalent phantom body, made from CTWater<sup>®</sup> and two interchangeable cylindrical inserts with a specified bone mineral density of 800 (cortical bone) and 100 /200 mg (cancellous bone) hydroxyapatite (HA) per cm<sup>3</sup> respectively. The bone-simulating cylinders have an outer diameter of 30 mm and a wall thickness of 5 mm (cortical bone), the inner part is 20 mm in diameter (spongy bone).

There are several different inserts available with other bmd concentrations. Inserts with metal implants can be ordered on a custom-made basis.

## Specifications

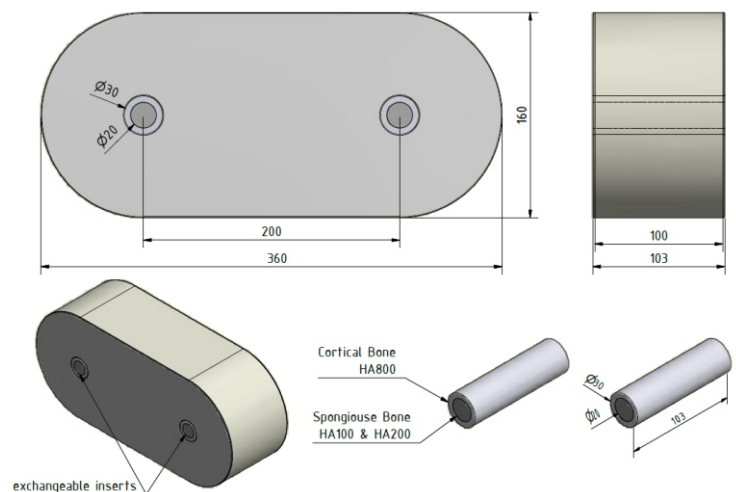
Base material ..... CTWater<sup>®</sup>  
 Phantom cross section ..... 360 x 160 mm  
 Phantom depth ..... 100 mm

Interchangeable bone equivalent inserts:  
 Outer diameter ..... 30 mm  
 Inner diameter ..... 20 mm  
 Cortical bone cylinder I + II .... 800 mg HA/cm<sup>3</sup>  
 Spongy bone cylinder I ..... 100 mg HA/cm<sup>3</sup>  
 Spongy bone cylinder II ..... 200 mg HA/cm<sup>3</sup>

Different additional BMD inserts as well as implants are possible. Please contact us: info@qrm.de



*The QRM-Hip-Phantom*



*Schematic drawing of the phantom.*